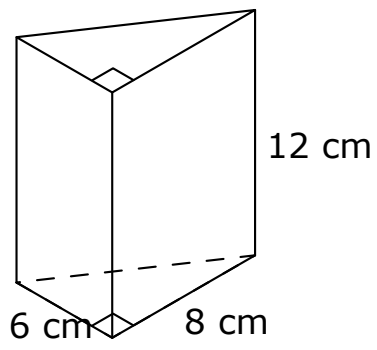
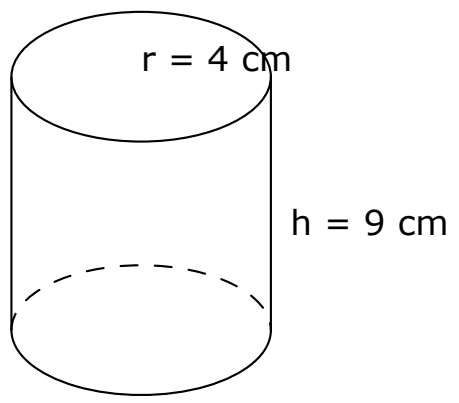


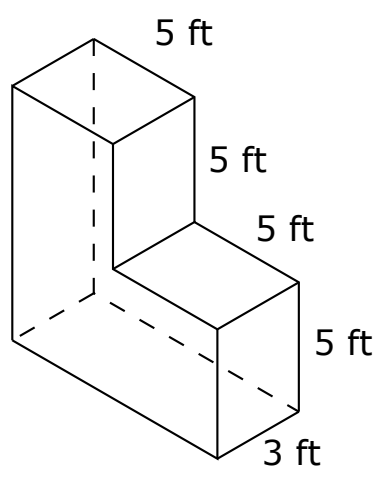
Vol:
SA:



Vol:
SA:



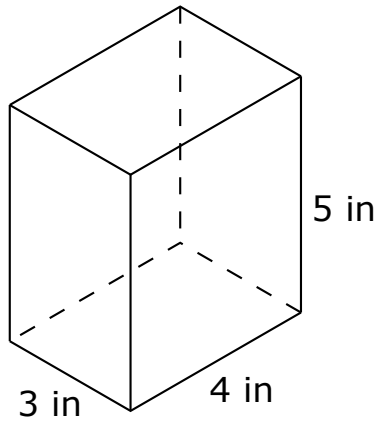
Vol:
SA:



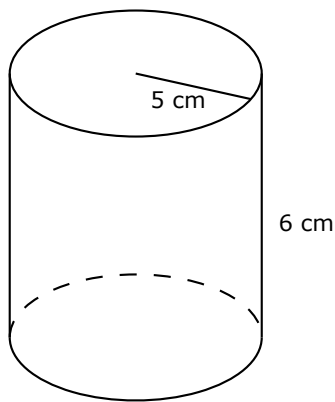
Vol:
SA:

#15C: Vol & SA of Prisms and Cylinders

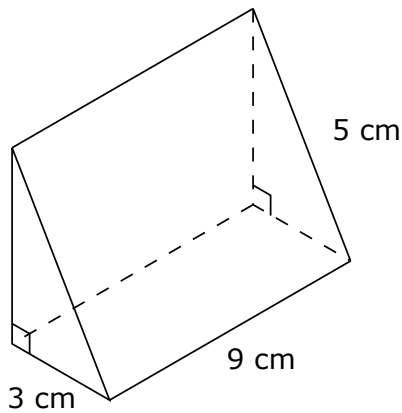
Shade in a base of each solid. Then find the volume and surface area.



Vol:
SA:

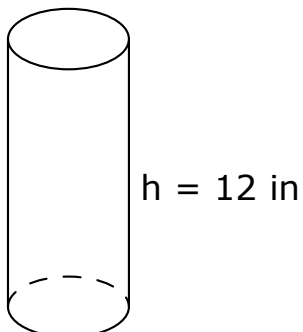


Vol:
SA:



Vol:
SA:

$d = 4 \text{ in}$



Vol:
SA: